

R-RB Rawlbolt® Shield

World's most popular all-purpose expanding shield anchor



Product information

Features and benefits

- Product recommended for applications requiring fire resistance
- Three-piece expanding sleeve of maximum expansion provides optimal load and safety of use in any substrate
- Designed & manufactured for maximum performance

Applications

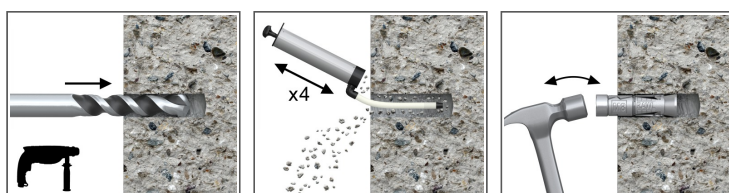
- Roller shutter doors
- Fire doors
- Wall plates
- Security grills
- Signs
- Manufacturing and installation of fencing
- Heavy machinery
- Pipework/duct work support
- Supporting guy ropes, stays and cables
- Supporting ladder restraints

Base materials

Suitable for use in

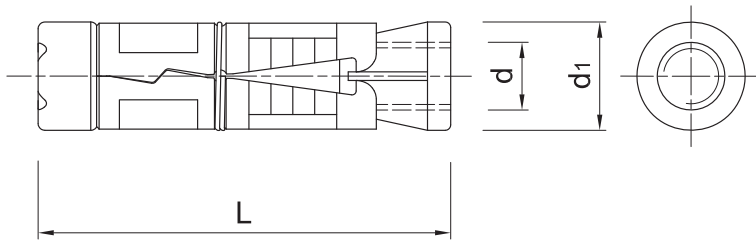
- Cracked concrete C20/25-C50/60
- Non-cracked concrete C20/25-C50/60
- Unreinforced concrete
- Reinforced concrete
- Solid clay brick $\geq 20\text{MPa}$
- Hollow Lightweight Concrete Block LAC 5 $\geq 5\text{MPa}$
- Hollow Sand-lime Brick $\geq 15\text{MPa}$
- Concrete hollow floor block (eg. Teriva)
- Hollow-core Slab C20/25
- Hollow-core Slab C30/37-C50/60
- Natural Stone (after site testing)

Installation guide



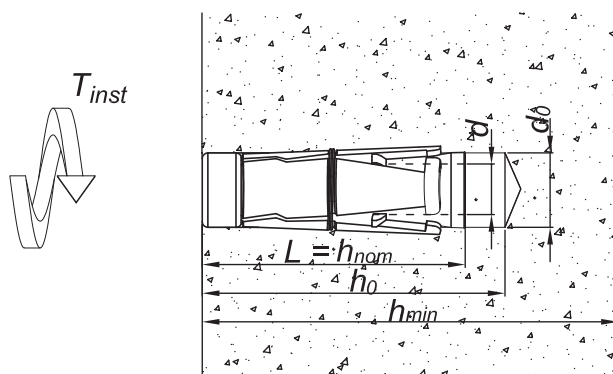
1. Drill a hole of required diameter and depth. Note: When fixing into brickwork, mortar joints should be avoided
2. Remove debris and thoroughly clean hole with brush and pump
3. Tap home with hammer until flush with surface

Product information



Size	Product Code	Anchor			Fixture
		Diameter	External diameter	Length	Hole diameter
		d	d_{nom}	L	d_f
		[mm]	[mm]	[mm]	[mm]
M6	R-RB-M06W	6	12	45	6.5
M8	R-RB-M08W	8	14	50	9
M10	R-RB-M10W	10	16	60	11
M12	R-RB-M12W	12	20	75	13
M16	R-RB-M16W	16	25	115	17
M20	R-RB-M20W	20	32	130	22
M24	R-RB-M24W	24	38	150	26

Installation data



Size			M6	M8	M10	M12	M16	M20	M24
Thread diameter	d	[mm]	6	8	10	12	16	20	24
Hole diameter in substrate	d_0	[mm]	12	14	16	20	25	32	38
Installation torque	T_{inst}	[Nm]	6.5	15	27	50	120	230	400
Min. hole depth in substrate	h_0	[mm]	50	55	65	85	125	140	160
Min. installation depth	h_{nom}	[mm]	45	50	60	80	120	135	155
Min. substrate thickness	h_{min}	[mm]	100	100	100	100	142.5	172.5	240
Min. spacing	s_{min}	[mm]	35	40	50	60	95	115	210
Min. edge distance	c_{min}	[mm]	53	60	75	90	143	173	188

Product commercial data

Product Code	Anchor		Quantity [pcs]			Weight [kg]			Bar Codes
	Diameter [mm]	Length [mm]	Box	Outer	Pallet	Box	Outer	Pallet	
R-RB-M06W	6	45	100	800	32000	1.79	14.3	602.8	5906675283517
R-RB-M08W	8	50	100	100	16000	2.7	2.7	454.0	5906675283524
R-RB-M10W	10	60	100	100	16000	4.0	4.0	671.6	5906675283531
R-RB-M12W	12	75	50	50	8000	4.0	4.0	672.4	5906675283548
R-RB-M16W	16	115	25	25	3000	4.3	4.3	550.8	5906675283555
R-RB-M20W	20	130	15	15	1800	6.2	6.2	776.3	5906675283562
R-RB-M24W	24	150	5	5	800	2.6	2.6	440.6	5906675283579